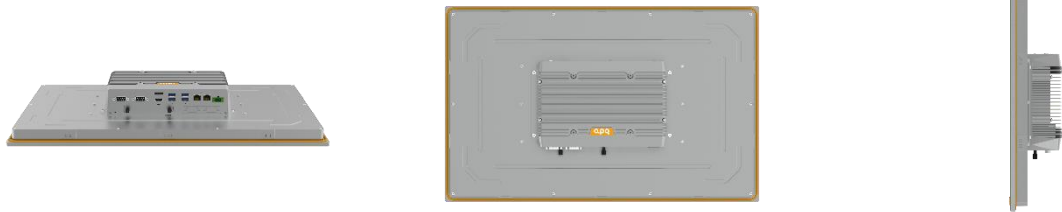




特点:

- 全屏电阻触摸屏设计
- 模块化设计 10.1~21.5"可选,支持方屏/宽屏
- 前面板满足 IP65 要求
- 前面板集成 USB Type-A 和信号指示灯
- 采用 Intel® 11th-U 移动平台 CPU
- 集成双 Intel®千兆网卡
- 双硬盘存储支持,2.5"硬盘可抽拉设计
- 支持 APQ aDoor 模块扩展
- 支持 WiFi/4G 无线扩展
- 无风扇设计、可拆卸式散热器
- 嵌入式/VESA 安装
- 12~28V 直流供电



程管理



状态监控



远程运维

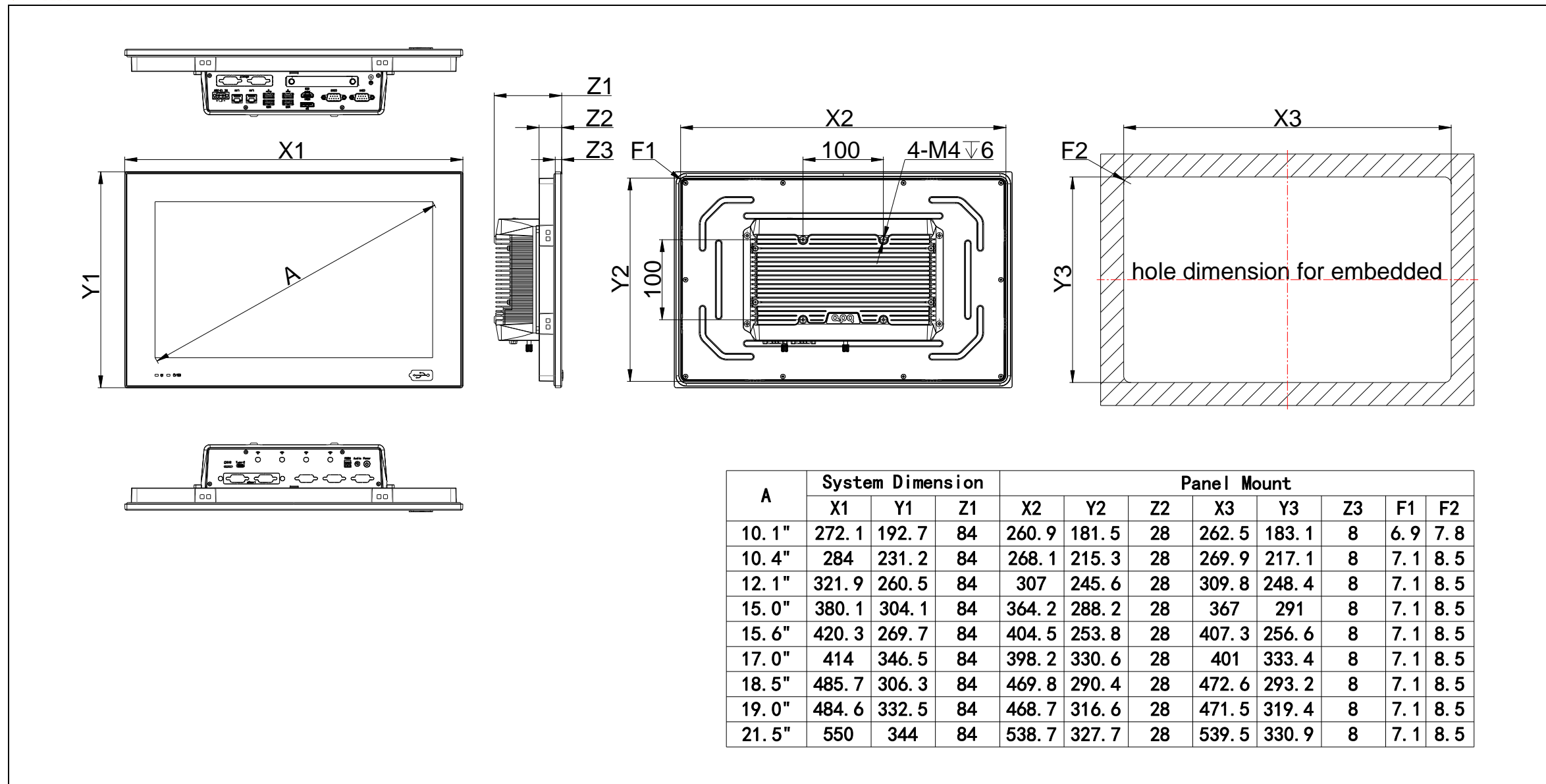


安全控制

产品规格

Model	PL101RQ-E6	PL104RQ-E6	PL121RQ-E6	PL150RQ-E6	PL156RQ-E6	PL170RQ-E6	PL185RQ-E6	PL191RQ-E6	PL215RQ-E6		
LCD	Display Size	10.1"	10.4"	12.1"	15.0"	15.6"	17.0"	18.5"	19.0"	21.5"	
	Display Type	WXGA TFT-LCD	XGA TFT-LCD	XGA TFT-LCD	XGA TFT-LCD	FHD TFT-LCD	SXGA TFT-LCD	WXGA TFT-LCD	WXGA TFT-LCD	FHD TFT-LCD	
	Max.Resolution	1280 x 800	1024 x 768	1024 x 768	1024 x 768	1920 x 1080	1280 x 1024	1366 x 768	1440 x 900	1920 x 1080	
	Luminance	400 cd/m2	350 cd/m2	350 cd/m2	300 cd/m2	350 cd/m2	250 cd/m2	250 cd/m2	250 cd/m2	250 cd/m2	
	Aspect Ratio	16:10	4:3	4:3	4:3	16:9	5:4	16:9	16:10	16:9	
	Viewing Angle	89/89/89/89°	88/88/88/88°	80/80/80/80°	88/88/88/88°	89/89/89/89°	85/85/80/80°	89/89/89/89°	85/85/80/80°	89/89/89/89°	
	Max. Color	16.7M	16.2M	16.7M	16.7M	16.7M	16.7M	16.7M	16.7M	16.7M	
	Backlight Lifetime	20,000 hr	50,000 hr	30,000 hr	70,000 hr	50,000 hr	30,000 hr	30,000 hr	30,000 hr	50,000 hr	
	Contrast Ratio	800:1	1000:1	800:1	2000:1	800:1	1000:1	1000:1	1000:1	1000:1	
Touchscreen	Touch Type	5-wire resistive touch									
	Controller	USB signal									
	Input	Finger/Touch pen									
	Light Transmission	≥78%									
	Hardness	≥3H									
	Click lifetime	100gf, 10 million times									
	Stroke lifetime	100gf, 1 million times									
Processor System	CPU	Intel® 11 th Generation Core™ i3/i5/i7 Mobile -U CPU									
	Chipset	SOC									
	BIOS	AMI EFI BIOS									
	Socket	2 * DDR4-3200 MHz SO-DIMM Slot									
Memory	Max Capacity	64GB									
	Controller	Intel® UHD Graphics/Intel® Iris® Xe Graphics (dependent on CPU type)									
Ethernet	Controller	1 * Intel® i210AT (10/100/1000/2500 Mbps, RJ45) 1 * Intel® i219 (10/100/1000 Mbps, RJ45)									
	SATA	1 * SATA3.0 Connector									
Storage	M.2	1 * M.2 Key-M (SSD, 2280, NVMe+SATA3.0)									
	aDoor	2 * aDoor Expansion Slot									
Expansion Slots	aDoor Bus	1 * aDoor Bus (16*GPIO + 4*PCIe + 1*I2C)									
	Mini PCIe	1 * Mini PCIe Slot (PCIe x1+USB 2.0, with Nano SIM Card) 1 * Mini PCIe Slot (PCIe x1+USB 2.0)									
	USB	2 * USB3.2 Gen2x1 (Type-A) 2 * USB3.2 Gen1x1 (Type-A)									
Front I/O	Ethernet	2 * RJ45									
	Display	1 * DP: up to 4096x2304@60Hz 1 * HDMI (Type-A): up to 3840x2160@24Hz									
	Serial	2 * RS232/485 (COM1/2, DB9/M, BIOS control)									
	Switch	1 * AT/ATX Mode Switch (Enable/Disable automatically power on)									
	Button	1 * Reset (hold down 0.2 to 1s to restart, 3s to clear CMOS) 1 * OS Rec (system recovery)									
	Power	1 * Power Input Connector (12~28V)									
	Rear I/O	USB	1 * Type-C								
		SIM	1 * Nano SIM Card Slot (Mini PCIe module provide functional support)								
Button		1 * Power Button+Power LED 1 * PS_ON									
Audio		1 * 3.5mm Audio Jack (LineOut+MIC, CTIA)									
Internal I/O	Front Panel	1 * Front Panel (wafer, 3x2Pin, PHD2.0)									
	FAN	1 * CPU FAN (4x1Pin, MX1.25) 1 * SYS FAN (4x1Pin, MX1.25)									
	Serial	1 * COM3/4 (5x2Pin, PHD2.0) 1 * COM5/6 (5x2Pin, PHD2.0)									
	USB	4 * USB2.0 (2*5x2Pin, PHD2.0)									
	LPC	1 * LPC (8x2Pin, PHD2.0)									
	Storage	1 * SATA3.0 7Pin Connector 1 * SATA Power									
	Audio	1 * Speaker (2-W (per channel)/8-Ω Loads, 4x1Pin, PH2.0)									
	GPIO	1 * 16bits DIO (8xDI and 8xDO, 10x2 Pin, PHD2.0)									
Power Supply	Type	DC									
	Power Input Voltage	12~28VDC									
	Connector	1 * 2Pin Power Input Connector (P=5.08mm)									
	RTC Battery	CR2032 Coin Cell									
OS Support	Windows	Windows 10									
	Linux	Linux									
Watchdog	Output	System Reset									
	Interval	Programmable 1 ~ 255 sec									
Mechanical	Enclosure Material	Radiator/Panel: Aluminum, Box/Cover: SGCC									
	Mounting	VESA, embedded									
	Dimensions (L * W * H, Unit: mm)	272.1*192.7*84	284*231.2*84	321.9*260.5*84	380.1*304.1*85	420.3*269.7*84	414*346.5*84	485.7*306.3*84	484.6*332.5*84	550*344*84	
Weight	Net	3.2Kg	3.4Kg	3.6Kg	5Kg	4.9Kg	5.7Kg	5.6Kg	6.5Kg	7Kg	
	Total	4.5Kg	4.7Kg	4.9Kg	6.6Kg	6.5Kg	7.3Kg	7.2Kg	8.1Kg	8.6Kg	
Environment	Heat Dissipation System	Passive heat dissipation									
	Operating Temperature	-20~60℃	-20~60℃	-20~60℃	-20~60℃	-20~60℃	0~50℃	0~50℃	0~50℃	0~60℃	
	Storage Temperature	-20~60℃	-20~70℃	-30~80℃	-30~70℃	-30~70℃	-20~60℃	-20~60℃	-20~60℃	-20~60℃	
	Relative Humidity	10 to 95% RH (non-condensing)									
	Vibration During Operation	With SSD: IEC 60068-2-64 (1Grms@5~500Hz, random, 1hr/axis)									
Shock During Operation	With SSD: IEC 60068-2-27 (15G, half sine, 11ms)										

产品尺寸



产品 I/O

