

特点:

- 模块化设计 10.1~27"可选,支持方屏/宽屏
- 十点触摸电容屏
- 全塑模具中框,前面板 IP65 设计
- 采用 Intel® Celeron® J1900 超低功耗 CPU
- 集成双 Intel®千兆网卡
- 双硬盘存储支持
- 支持 APQ aDoor 模块扩展
- 支持 WiFi/4G 无线扩展
- 无风扇设计
- 嵌入式/VESA 安装
- 12~28V 直流供电



程管理



状态监控



远程运维

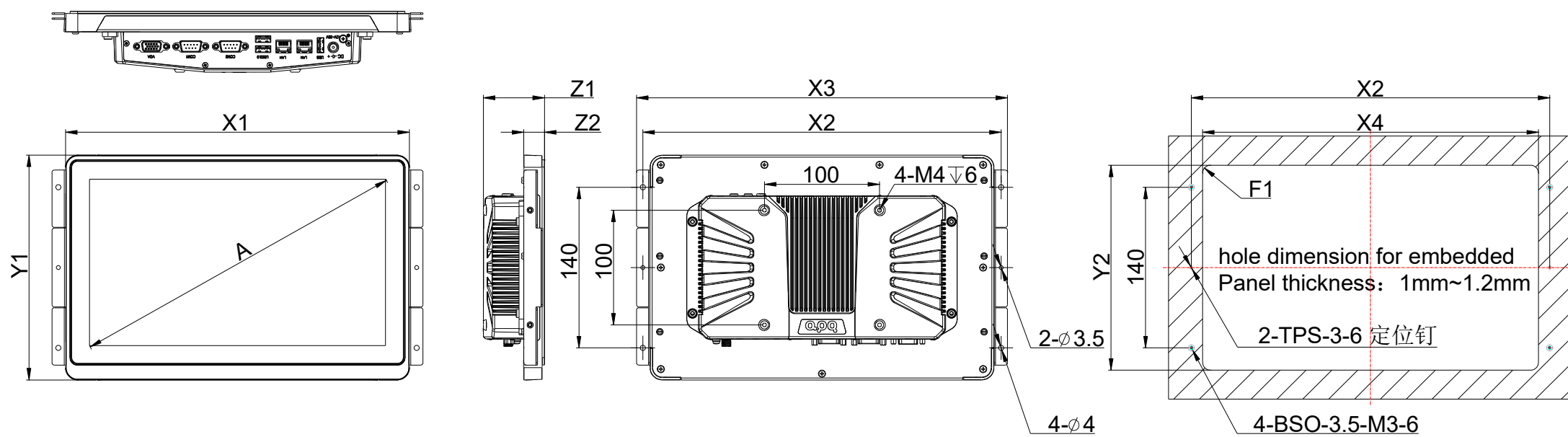


安全控制

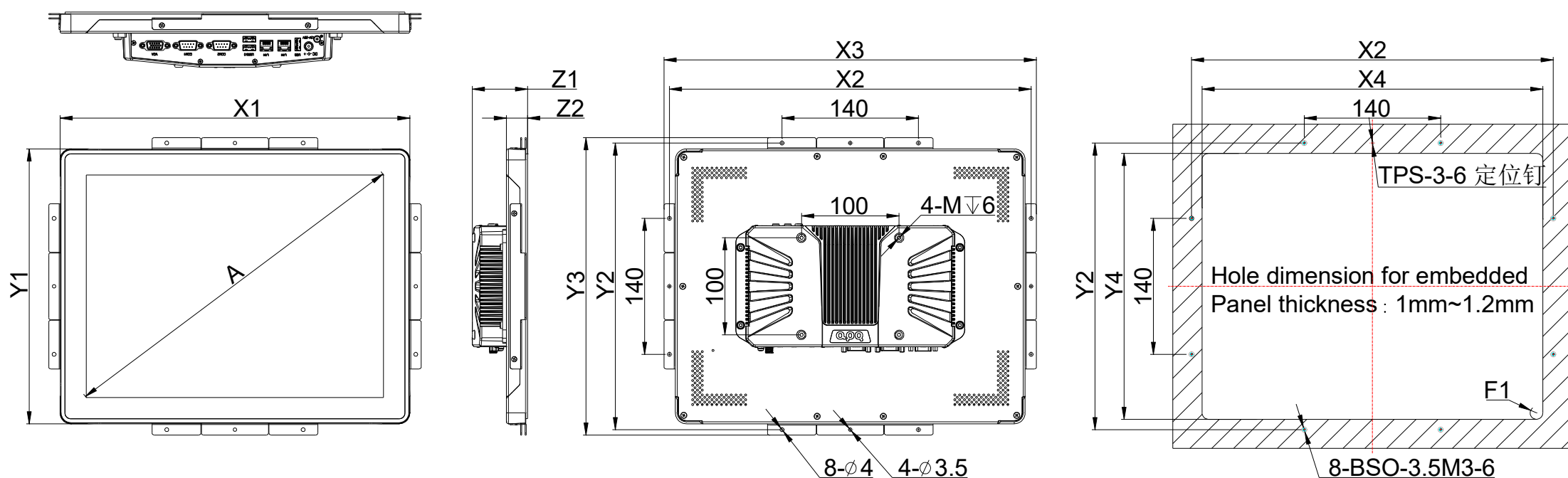
产品规格

Model	PH101CL-E5	PH116CL-E5	PH133CL-E5	PH150CL-E5	PH156CL-E5	PH170CL-E5	PH185CL-E5	PH190CL-E5	PH215CL-E5	PH238CL-E5	PH270CL-E5	
LCD	Display Size	10.1"	11.6"	13.3"	15.0"	15.6"	17.0"	18.5"	19.0"	21.5"	23.8"	27"
	Display Type	WXGA TFT-LCD	FHD TFT-LCD	FHD TFT-LCD	XGA TFT-LCD	WXGA TFT-LCD	SXGA TFT-LCD	WXGA TFT-LCD	SXGA TFT-LCD	FHD TFT-LCD	FHD TFT-LCD	FHD TFT-LCD
	Max.Resolution	1280 x 800	1920 x 1080	1920 x 1080	1024 x 768	1920 x 1080	1280 x 1024	1366 x 768	1280 x 1024	1920 x 1080	1920 x 1080	1920 x 1080
	Aspect Ratio	16:10	16:9	16:9	4:3	16:9	5:4	16:9	5:4	16:9	16:9	16:9
	Viewing Angle	85/85/85/85	89/89/89/89	85/85/85/85	89/89/89/89	85/85/85/85	85/85/80/80	85/85/80/80	85/85/80/80	89/89/89/89	89/89/89/89	89/89/89/89
	Luminance	350 cd/m2	220 cd/m2	300 cd/m2	350 cd/m2	220 cd/m2	250 cd/m2	250 cd/m2	250 cd/m2	250 cd/m2	250 cd/m2	300 cd/m2
	Contrast Ratio	800:1	800:1	800:1	1000:1	800:1	1000:1	1000:1	1000:1	1000:1	1000:1	3000:1
	Backlight Lifetime	25,000 Hrs	15,000 Hrs	15,000 Hrs	50,000 Hrs	50,000 Hrs	50,000 Hrs	30,000 Hrs	30,000 Hrs	30,000 Hrs	30,000 Hrs	30,000 Hrs
Touchscreen	Touch Type	Projected Capacitive Touch										
	Touch Controller	USB										
	Input	Finger/Capacitive Touch Pen										
	Light Transmission	≥85%										
	Hardness	6H										
Processor System	CPU	Intel® Celeron® J1900										
	Base Frequency	2.00 GHz										
	Max Turbo Frequency	2.42 GHz										
	Cache	2MB										
	Total Cores/Threads	4/4										
	TDP	10W										
	Chipset	SOC										
	BIOS	AMI UEFI BIOS										
Memory	Socket	DDR3L-1333 MHz (Onboard)										
	Max Capacity	4GB										
Graphics	Controller	Intel® HD Graphics										
Ethernet	Controller	2 * Intel® i210-AT (10/100/1000 Mbps, RJ45)										
Storage	SATA	1 * SATA2.0 Connector (2.5-inch hard disk with 15+7pin)										
	mSATA	1 * mSATA Slot										
Expansion Slots	aDoor	1 * aDoor Expansion Module										
	Mini PCIe	1 * Mini PCIe Slot (PCIe 2.0x1 + USB2.0)										
Front I/O	USB	2 * USB3.0 (Type-A) 1 * USB2.0 (Type-A)										
	Ethernet	2 * RJ45										
	Display	1 * VGA: max resolution up to 1920*1200@60Hz										
	Serial	2 * RS232/485 (COM1/2, DB9/M)										
	Power	1 * Power Input Connector (12~28V)										
Rear I/O	USB	1 * USB3.0 (Type-A) 1 * USB2.0 (Type-A)										
	SIM	1 * SIM Card slot (Mini PCIe module provides functional support)										
	Button	1 * Power Button+Power LED										
	Audio	1 * 3.5mm Line-out Jack 1 * 3.5mm MIC Jack										
	Display	1 * HDMI: max resolution up to 1920*1200 @ 60Hz										
Internal I/O	Front Panel	1 * TFront Panel (3*USB2.0+Front Panel, 10x2Pin, PHD2.0) 1 * Front Panel (3x2Pin, PHD2.0)										
	FAN	1 * SYS FAN (4x1Pin, MX1.25)										
	Serial	2 * COM (JCOM3/4, 5x2Pin, PHD2.0)										
	USB	2 * USB2.0 (5x2Pin, PHD2.0) 1 * USB2.0 (4x1Pin, PH2.0)										
	Display	1 * LVDS (20x2Pin, PHD2.0)										
	Audio	1 * Front Audio (header, Line-Out + MIC, 5x2Pin 2.00mm) 1 * Speaker (wafer, 2-W (per channel)/8-Ω Loads, 4x1Pin 2.0mm)										
	GPIO	1 * 8bits DIO (4xDI and 4xDO, 10x1Pin MX1.25)										
Power Supply	Type	DC										
	Power Input Voltage	12~28VDC										
	Connector	1 * DC5525 with lock										
	RTC Battery	CR2032 Coin Cell										
OS Support	Windows	Windows 7/8.1/10										
	Linux	Linux										
Watchdog	Output	System Reset										
	Interval	Programmable 1 ~ 255 sec										
Mechanical	Enclosure Material	Panel: Plastics, Radiator/Box: Aluminum, Cover: SGCC										
	Mounting	VESA, embedded										
	Dimensions (L*W*H, Unit: mm)	249.8*168.4*38.5	298.1*195.8*45.5	333.7*216*43.7	359*283*56.8	401.5*250.7*53.7	393*325.6*56.8	464.9*285.5*56.7	431*355.8*56.8	532.3*323.7*56.7	585.4*357.7*56.7	662.3*400.9*56.7
	Weight	Net: 1.9kg, Total: 3.2kg	Net: 2.3kg, Total: 3.6kg	Net: 2.5kg, Total: 3.8kg	Net: 3.7kg, Total: 5.2kg	Net: 3.8kg, Total: 5.3kg	Net: 4.7kg, Total: 6.4kg	Net: 4.8 kg, Total: 6.5kg	Net: 5.6kg, Total: 7.3kg	Net: 5.8kg, Total: 7.7kg	Net: 7.4kg, Total: 9.3kg	Net: 8.5kg, Total: 10.5kg
Environment	Heat Dissipation System	Passive heat dissipation										
	Operating Temperature	0~50°C	0~50°C	0~50°C	0~50°C	0~50°C	0~50°C	0~50°C	0~50°C	0~50°C	0~50°C	0~50°C
	Storage Temperature	-20~60°C	-20~60°C	-20~60°C	-20~60°C	-20~60°C	-20~60°C	-20~60°C	-20~60°C	-20~60°C	-20~60°C	-20~60°C
	Relative Humidity	10 to 95% RH (non-condensing)										
	Vibration During Operation	With SSD: IEC 60068-2-64 (1Grms@5~500Hz, random, 1hr/axis)										
Shock During Operation	With SSD: IEC 60068-2-27 (15G, half sine, 11ms)											

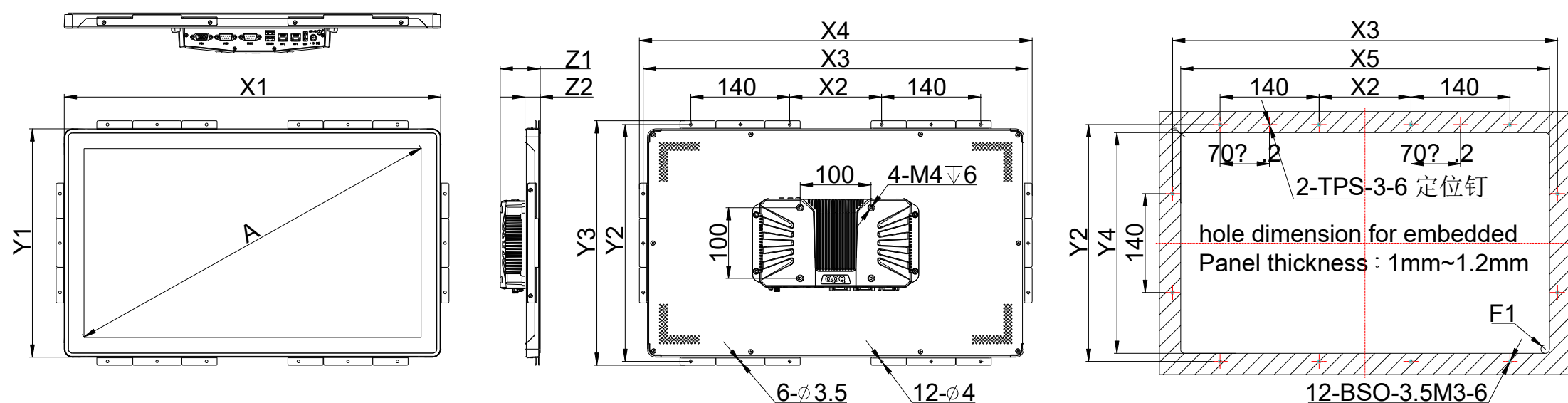
产品尺寸



A	System Dimension			Panel Mount				
	X1	Y1	Z1	X2	Y2	Z2	X3	F1
10.1"	249.8	168.4	38.5	263.9	168.4	11	273.9	10.5
11.6"	298.8	195.8	45.5	311.3	178.7	18	322.3	6.9
13.3"	333.7	216	43.7	346.9	197.3	16.2	357.7	6



A	System Dimension			Panel Mount							
	X1	Y1	Z1	X2	Y2	Z2	X3	Y3	X4	Y4	F1
15.0"	359	283	56.8	371.2	295.1	21.8	382.2	306.1	349.7	273.7	6.5
15.6"	401.5	250.7	53.7	413.9	263.1	18.7	424.9	274.1	389.1	238.3	6
17.0"	393	325.6	56.8	405.2	337.8	21.8	416.2	348.8	383	315.5	6
18.5"	464.9	285.5	56.7	476.9	297.5	21.7	487.9	308.5	454.3	274.9	6
19.0"	431	355.8	56.8	443.2	367.9	21.8	454.2	378.9	420.5	345.2	6



A	System Dimension			Panel Mount								
	X1	Y1	Z1	X2	Y2	Z2	X3	Y3	X4	Y4	X5	F1
21.5"	532.3	323.7	56.7	130	335.8	21.7	544.4	346.8	555.4	313.1	521.6	6
23.8"	585.4	357.7	56.7	130	369.8	21.7	597.5	380.8	608.5	347.1	574.8	6
27.0"	662.3	400.9	56.7	190	413.2	21.7	674.6	424.2	685.6	390.5	651.9	6

产品 I/O

