

特点:

- 电阻触摸屏设计
- 模块化设计 17/19"可选,支持方屏/宽屏
- 前面板满足 IP65 要求
- 前面板集成 USB Type-A 和信号指示灯
- 采用 Intel® J6412/N97/N305 低功耗 CPU
- 集成双 Intel®千兆网卡
- 双硬盘存储支持
- 支持 APQ aDoor 模块扩展
- 支持 WiFi/4G 无线扩展
- 无风扇设计
- 上架式/VESA 安装
- 12~28V 直流供电



程管理



状态监控



远程运维

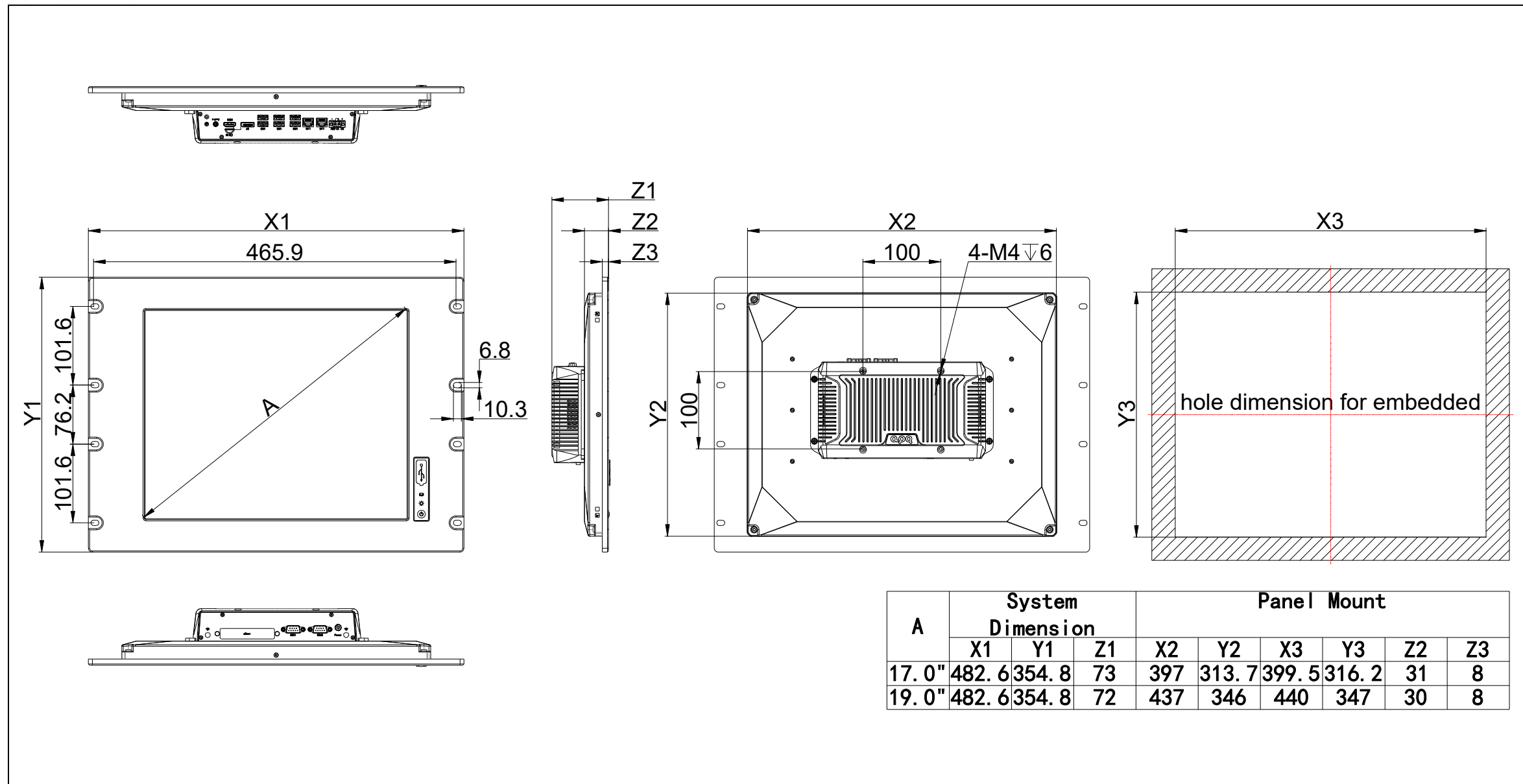


安全控制

产品规格

Model	PG170RF-E5S		PG190RF-E5S	
LCD	Display Size	17.0"	19.0"	
	Max.Resolution	1280 x 1024	1280 x 1024	
	Luminance	250 cd/m2	250 cd/m2	
	Aspect Ratio	5:4	5:4	
	Viewing Angle	85/85/80/80°	85/85/80/80°	
	Max. Color	16.7M	16.7M	
	Backlight Lifetime	30,000 hr	30,000 hr	
	Contrast Ratio	1000:1	1000:1	
Touchscreen	Touch Type	5-wire resistive touch		
	Controller	USB signal		
	Input	Finger/Touch pen		
	Light Transmission	≥78%		
	Hardness	≥3H		
	Click lifetime	100gf, 10 million times		
	Stroke lifetime	100gf, 1 million times		
Response time	≤15ms			
Processor System	CPU	Intel® Elkhart Lake J6412	Intel® Alder Lake N97	Intel® Alder Lake N305
	Base Frequency	2.00 GHz	2.0 GHz	1 GHz
	Max Turbo Frequency	2.60 GHz	3.60 GHz	3.8GHz
	Cache	1.5MB	6MB	6MB
	Total Cores/Threads	4/4	4/4	8/8
	Chipset	SOC		
Memory	BIOS	AMI UEFI BIOS		
	Socket	LPDDR4 3200 MHz (Onboard)		
Graphics	Capacity	8GB		
	Controller	Intel® UHD Graphics		
Ethernet	Controller	2 * Intel® i210-AT (10/100/1000 Mbps, RJ45)		
Storage	SATA	1 * SATA3.0 Connector (2.5-inch hard disk with 15+7Pin)		
	M.2	1 * M.2 Key-M Slot (SATA SSD, 2280)		
Expansion Slots	aDoor	1 * aDoor		
	Mini PCIe	1 * Mini PCIe Slot (PCIe+USB2.0)		
Front I/O	USB	4 * USB3.0 (Type-A) 2 * USB2.0 (Type-A)		
	Ethernet	2 * RJ45		
	Display	1 * DP++: max resolution up to 4096x2160@60Hz 1 * HDMI (Type-A): max resolution up to 2048x1080@60Hz		
	Audio	1 * 3.5mm Jack (Line-Out + MIC, CTIA)		
	SIM	1 * Nano-SIM Card slot (Mini PCIe module provides functional support)		
Rear I/O	Power	1 * Power Input Connector (12~28V)		
	Button	1 * Power Button with Power LED		
	Serial	2 * RS232/485 (COM1/2, DB9/M, BIOS control)		
Internal I/O	Front Panel	1 * Front Panel (3x2Pin, PHD2.0)		
	FAN	1 * SYS FAN (4x1Pin, MX1.25)		
	Serial	2 * COM (JCOM3/4, 5x2Pin, PHD2.0) 2 * COM (JCOM5/6, 5x2Pin, PHD2.0)		
	USB	2 * USB2.0 (F_USB2_1, 5x2Pin, PHD2.0) 2 * USB2.0 (F_USB2_2, 5x2Pin, PHD2.0)		
	Display	1 * LVDS/eDP (default LVDS, wafer, 25x2Pin 1.00mm)		
	Audio	1 * Speaker (2-W (per channel)/8-Ω Loads, 4x1Pin, PH2.0)		
	GPIO	1 * 16bits DIO (8xDI and 8xDO, 10x2Pin, PHD2.0)		
	LPC	1 * LPC (8x2Pin, PHD2.0)		
Power Supply	Type	DC		
	Power Input Voltage	12~28VDC		
	Connector	1 * 2Pin Power Input Connector (12~28V, P= 5.08mm)		
OS Support	RTC Battery	CR2032 Coin Cell		
Watchdog	Windows	Windows 10/11		
	Linux	Linux		
Mechanical	Output	System Reset		
	Interval	Programmable 1 ~ 255 sec		
Environment	Enclosure Material	Radiator/Panel: Aluminum, Box/Cover: SGCC		
	Mounting	Rack-mount, VESA, embedded		
	Dimensions	482.6mm(L) * 354.8mm(W) * 73mm(H)	482.6mm(L) * 354.8mm(W) * 72mm(H)	
	Weight	Net: 5.7kg, Total: 8.7kg	Net: 7.1kg, Total: 10.3kg	
Environment	Heat Dissipation System	Passive heat dissipation		
	Operating Temperature	0~50°C		
	Storage Temperature	-20~60°C		
	Relative Humidity	10 to 95% RH (non-condensing)		
	Vibration During Operation	With SSD: IEC 60068-2-64 (1Grms@5~500Hz, random, 1hr/axis)		
Shock During Operation	With SSD: IEC 60068-2-27 (15G, half sine, 11ms)			

产品尺寸



产品 I/O

