



特点:

- 电阻触摸屏设计
- 模块化设计 17/19"可选,支持方屏/宽屏
- 前面板满足 IP65 要求
- 前面板集成 USB Type-A 和信号指示灯
- 采用 Intel® Celeron® J1900 超低功耗 CPU
- 板载 6 个 COM,支持两路隔离 RS485
- 集成双 Intel®千兆网卡
- 双硬盘存储支持
- 支持 APQ MXM COM/GPIO 模块扩展
- 支持 WiFi/4G 无线扩展
- 上架式/VESA 安装
- 12~28V 直流供电



程管理



状态监控



远程运维

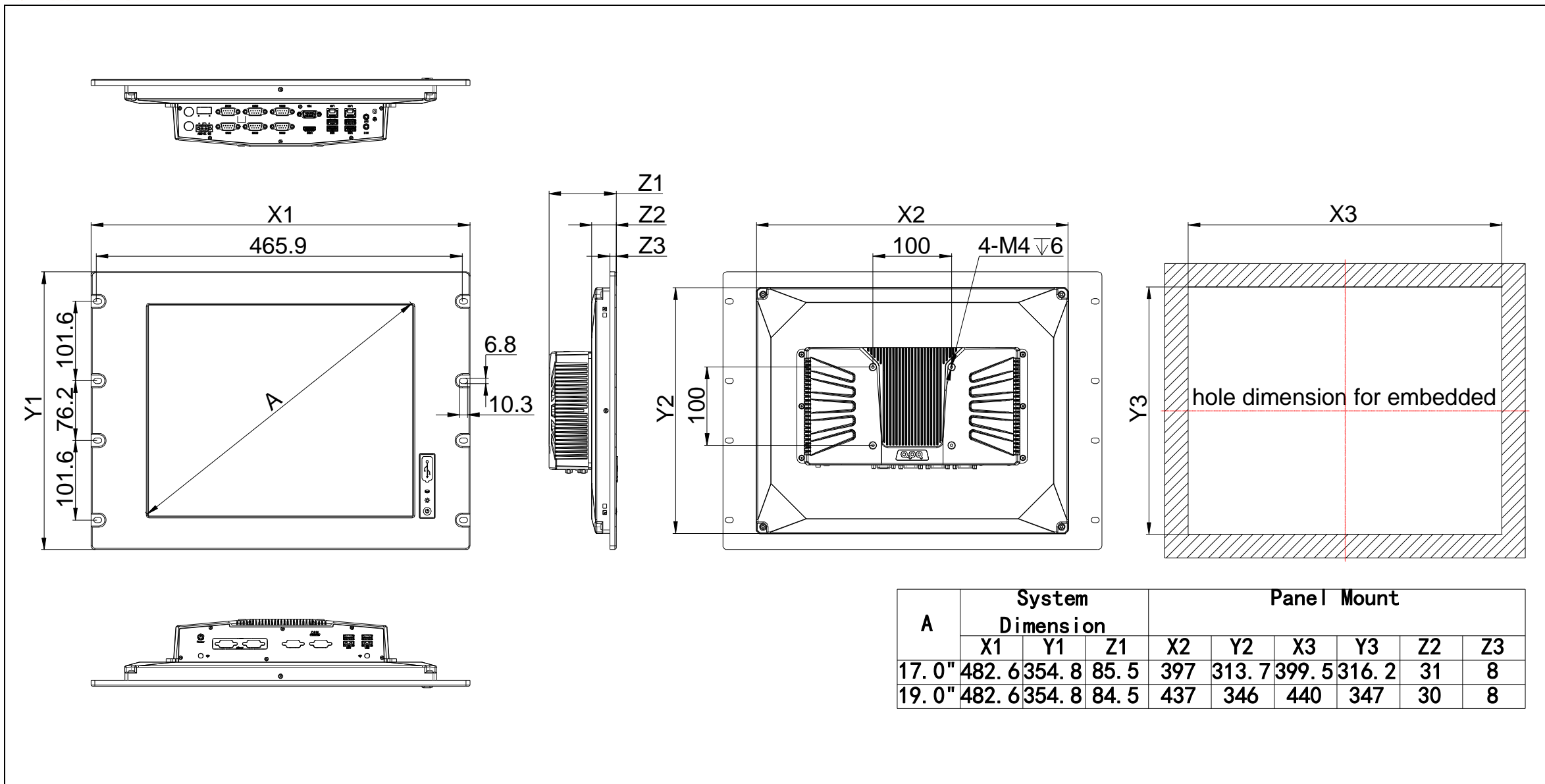


安全控制

产品规格

Model	PG170RF-E5M	PG190RF-E5M	
LCD	Display Size	17.0"	19.0"
	Display Type	SXGA TFT-LCD	SXGA TFT-LCD
	Max.Resolution	1280 x 1024	1280 x 1024
	Luminance	250 cd/m2	250 cd/m2
	Aspect Ratio	5:4	5:4
	Viewing Angle	85/85/80/80°	89/89/89/89°
	Max. Color	16.7M	16.7M
	Backlight Lifetime	30,000 hr	30,000 hr
Contrast Ratio	1000:1	1000:1	
Touchscreen	Touch Type	5-Wire Resistive Touch	
	Controller	USB signal	
	Input	Finger/Touch pen	
	Light Transmission	≥78%	
	Hardness	≥3H	
	Click lifetime	100gf, 10 million times	
	Stroke lifetime	100gf, 1 million times	
Response time	≤15ms		
Processor System	CPU	Intel® Celeron® J1900	
	Base Frequency	2.00 GHz	
	Max Turbo Frequency	2.42 GHz	
	Cache	2MB	
	Total Cores/Threads	4/4	
	TDP	10W	
	Chipset	SOC	
BIOS	AMI UEFI BIOS		
Memory	Socket	1 * DDR3L-1333MHz SO-DIMM Slot	
	Max Capacity	8GB	
Graphics	Controller	Intel® HD Graphics	
Ethernet	Controller	2 * Intel® i210-AT (10/100/1000 Mbps, RJ45)	
	Storage	SATA	1 * SATA2.0 Connector (2.5-inch hard disk with 15+7pin)
Expansion Slots	M.2	1 * M.2 Key-M Slot (support SATA SSD, 2280)	
	MXM/aDoor	1 * MXM slot (LPC+GPIO, support COM/GPIO MXM card)	
Front I/O	Mini PCIe	1 * Mini PCIe Slot (PCIe2.0+USB2.0)	
	USB	1 * USB3.0 (Type-A) 3 * USB2.0 (Type-A)	
Rear I/O	Ethernet	2 * RJ45	
	Display	1 * VGA: max resolution up to 1920*1280@60Hz 1 * HDMI: max resolution up to 1920*1280@60Hz	
	Audio	1 * 3.5mm Line-out Jack 1 * 3.5mm MIC Jack	
	Serial	2 * RS232/485 (COM1/2, DB9/M) 4 * RS232 (COM3/4/5/6, DB9/M)	
	Power	1 * 2Pin Power Input Connector (12~28V, P= 5.08mm)	
	USB	4 * USB2.0 (Type-A)	
	SIM	1 * Nano SIM Card slot (Mini PCIe module provides functional support)	
Internal I/O	Button	1 * Power Button with LED	
	Front Panel	1 * TFront Panel (3*USB2.0+Front Panel, 10x2Pin, PHD2.0) 1 * Front Panel (3x2Pin, PHD2.0)	
	FAN	1 * SYS FAN (4x1Pin, MX1.25)	
	LPC	1 * LPC (8x2Pin, PHD2.0)	
	PS/2	1 * PS/2 (PS/2 keyboard + mouse, 6x1Pin, PH2.0)	
	USB	2 * USB2.0 (5x2Pin, PH2.0)	
	Power	1 * DCIN (power input, 4x1Pin, XH2.54)	
	Display	1 * LVDS/eDP (Default LVDS, 20x2Pin, PHD2.0)	
	GPIO	1 * 16bits DIO (8xDI and 8xDO, 10x2Pin, PHD2.0)	
	Audio	1 * Front Audio (header, Line-Out + MIC, 5x2Pin 2.54mm) 1 * Speaker (2-W (per channel)/8-Ω Loads, 4x1Pin, PH2.0)	
Power Supply	Type	DC	
	Power Input Voltage	12~28VDC	
	Connector	1 * 2Pin Power Input Connector (12~28V, P= 5.08mm)	
	RTC Battery	CR2032 Coin Cell	
OS Support	Windows	Windows 7/8.1/10	
	Linux	Linux	
Watchdog	Output	System Reset	
	Interval	Programmable 1 ~ 255 sec	
Mechanical	Enclosure Material	Radiator/Panel: Aluminum, Box/Cover: SGCC	
	Mounting	Rack-mount, VESA, embedded	
	Dimensions	482.6mm(L) * 354.8mm(W) * 85.5mm(H)	482.6mm(L) * 354.8mm(W) * 84.5mm(H)
	Weight	Net: 6.5kg, Total: 9.5kg	Net: 7.9kg, Total: 11.1kg
Environment	Heat Dissipation System	Passive heat dissipation	
	Operating Temperature	0~50°C	
	Storage Temperature	-20~60°C	
	Relative Humidity	10 to 95% RH (non-condensing)	
	Vibration During Operation	With SSD: IEC 60068-2-64 (1Grms@5~500Hz, random, 1hr/axis)	
Shock During Operation	With SSD: IEC 60068-2-27 (15G, half sine, 11ms)		

产品尺寸



产品 I/O

