

特点:

- 紧凑型小 4U 机箱
- 支持 Intel® 10/11th Generation Core/Pentium/Celeron Desktop CPU
- 安装标准 ATX 主板, 支持标准 4U 电源
- 最多支持 7 槽位全高卡扩展, 满足多行业应用需求
- 人性化设计, 机箱前置系统风扇免工具维护
- 精心设计的免工具 PCIe 扩展卡固定架、具有更高的抗震性
- 最多可选 2 个 3.5 英寸抗震抗冲击硬盘位
- 前面板 USB、开关机设计, 电源及存储状态显示, 更易于系统维护



远程管理



状态监控



远程运维

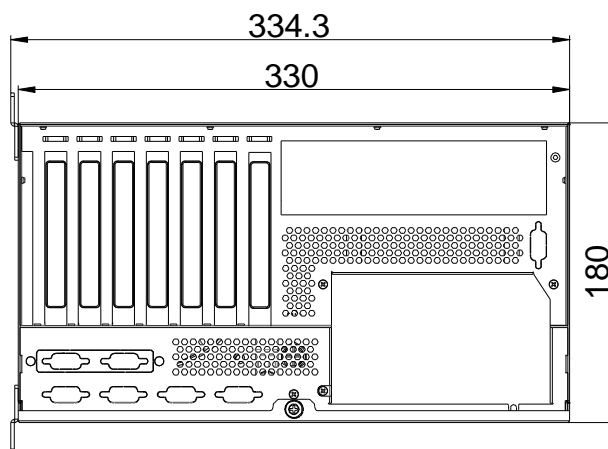
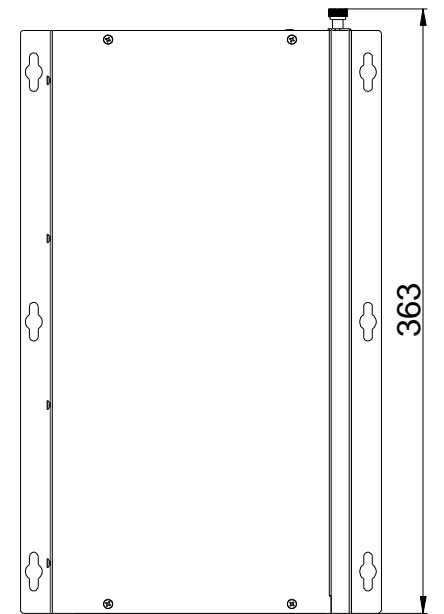
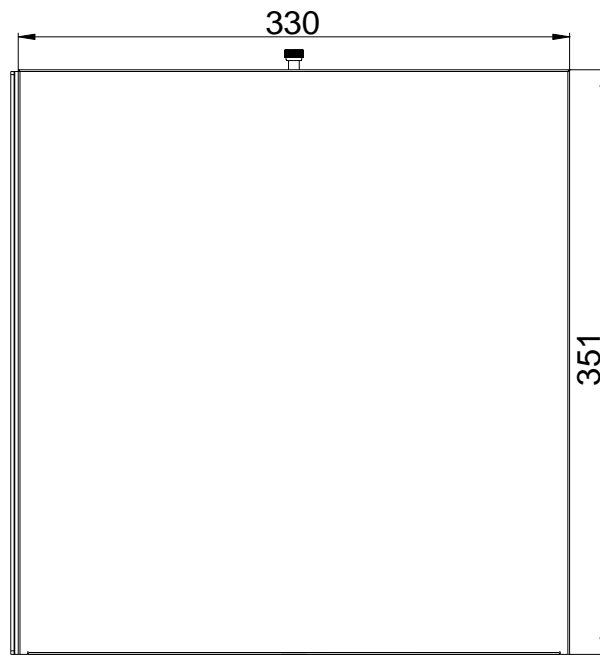
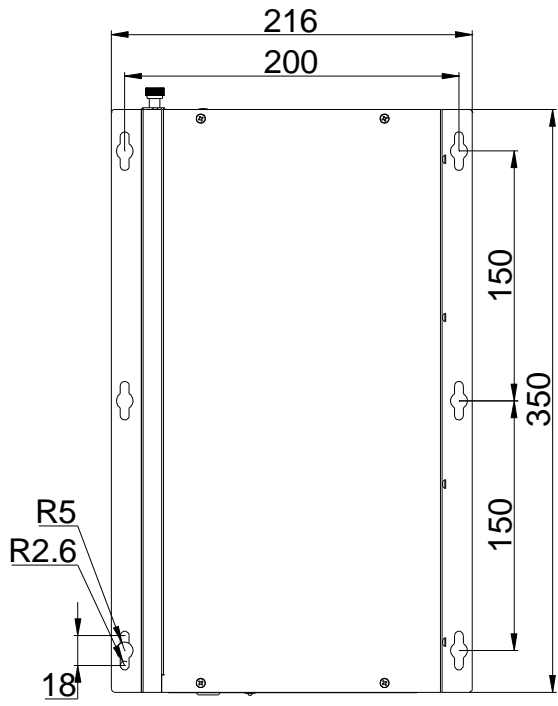
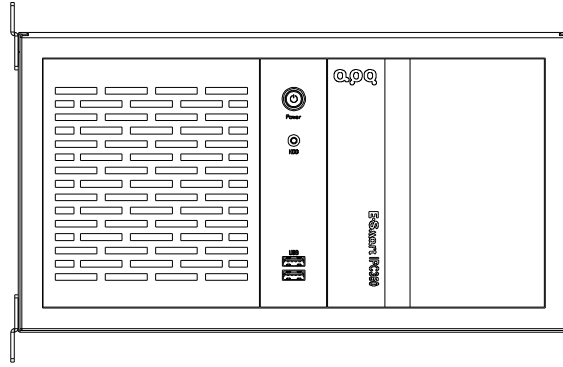


安全控制

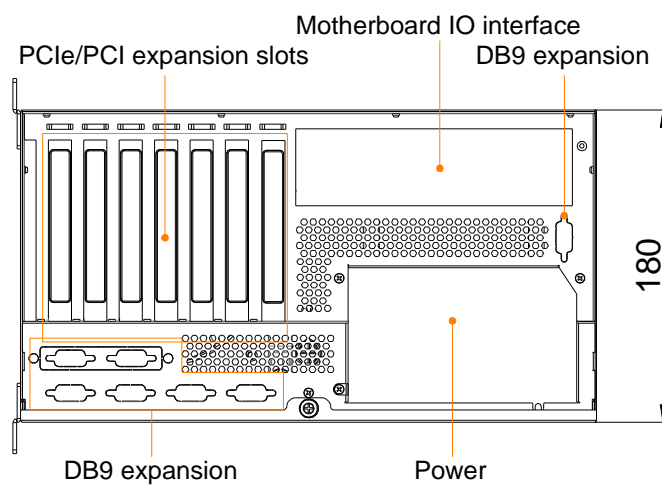
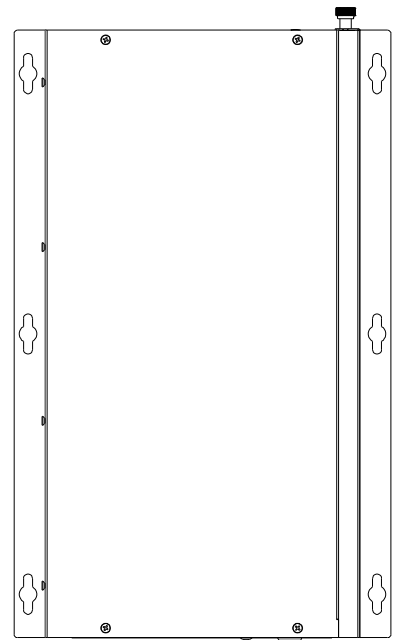
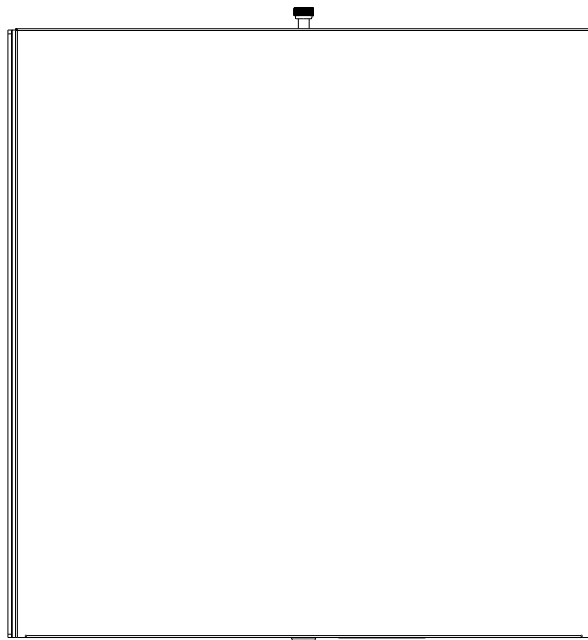
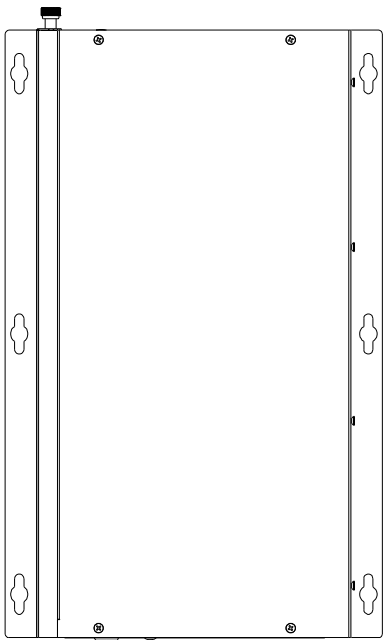
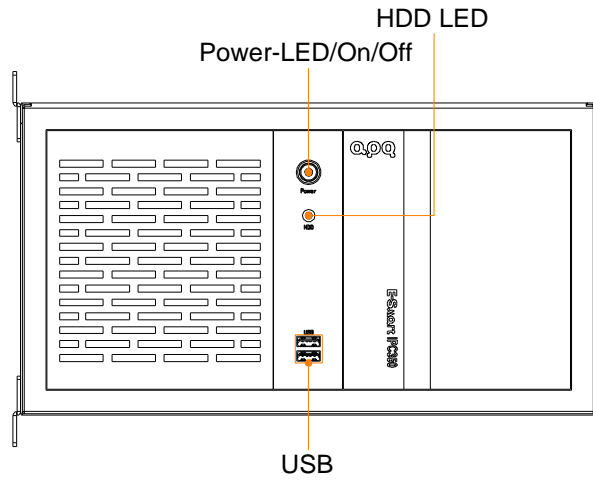
产品规格

Model	IPC350-Q470	
Processor System	CPU	Support Intel® 10/11th Generation Core / Pentium/ Celeron Desktop CPU
	TDP	125W
	Socket	LGA1200
	Chipset	Q470
	BIOS	AMI 256 Mbit SPI
Memory	Socket	4 * Non-ECC U-DIMM Slot, Dual Channel DDR4 up to 2933MHz
	Capacity	128GB, Single Max. 32GB
Graphics	Controller	Intel® UHD Graphics
Ethernet	Controller	1 * Intel i210-AT GbE LAN Chip (10/100/1000 Mbps, RJ45) 1 * Intel i219-LM/V GbE LAN Chip (10/100/1000 Mbps, RJ45)
	Storage	4 * SATA3.0 7P Connector, Support RAID 0, 1, 5, 10
Expansion Slots	PCIe	2 * PCIe x16 slot (Gen 3, x16 /NA signal or Gen 3, x8 /x8 signal) 3 * PCIe x4 slot (Gen 3, x4 signal)
	PCI	2 * PCI slot
	Mini PCIe	1 * Mini PCIe (PCIe x1 Gen 3 + USB 2.0, with 1 * SIM Card)
Front I/O	Ethernet	2 * RJ45
	USB	2 * USB3.2 Gen 2x1 (Type-A) 4 * USB3.2 Gen 1x1 (Type-A) 2 * USB2.0 (Type-A)
	Display	1 * DP1.4: max resolution up to 3840*2160 @ 60Hz 1 * HDMI1.4: max resolution up to 3840*2160 @ 30Hz
	Audio	3 * 3.5mm Jack (Line-out + Line-in + MIC)
	Serial	2 * RS232/422/485 (COM1/2, DB9/M, Full Lanes, BIOS Switch)
Rear I/O	USB	2 * USB2.0 (Type-A)
	Button	1 * Power Button
	LED	1 * Power status LED 1 * Hard drive status LED
Internal I/O	USB	1 * USB2.0 (Vertical TYPE-A) 2 * USB2.0 (Header)
	COM	4 * RS232 (COM3/4/5/6, Header, Full Lanes)
	Display	1 * VGA: max resolution up to 1920*1200 @ 60Hz (wafer) 1 * eDP: max resolution up to 1920*1200 @ 60Hz (Header)
	Audio	1 * Front Audio (Line-Out + MIC, Header) 1 * Speaker (3W (per channel) into a 4Ω Loads, wafer)
	GPIO	1 * 16 bits DIO (8DI and 8DO, wafer)
	SATA	4 * SATA 7P Connector
	LPT	1 * LPT (Header)
	PS/2	1 * PS/2 (wafer)
	SMBus	1 * SMBus (wafer)
	FAN	2 * SYS FAN (Header) 1 * CPU FAN (Header)
Power Supply	Type	ATX
	Power Input Voltage	AC power supply, voltage and frequency shall be based on the ATX power supply provided
	RTC Battery	CR2032 Coin Cell
OS Support	Windows	Windows 10/11
	Linux	Linux
Watchdog	Output	System Reset
	Interval	Programmable 1 ~ 255 sec
Mechanical	Enclosure Material	SGCC
	Dimensions	330mm(L) * 350mm(W) * 180mm(H)
	Mounting	Wall mounted, Desktop
Environment	Heat Dissipation System	PWM fan cooling
	Operating Temperature	0 ~ 50°C
	Storage Temperature	-20 ~ 70°C
	Relative Humidity	10 to 90% RH (non-condensing)

IPC350立放



IPC350立放



主板接口

