



特点:

- 铝合金模具成型
- 支持 Intel® 6~9th Generation Core/Pentium/Celeron Desktop CPU
- 安装标准 ITX 主板, 支持标准 1U 电源
- 选配转接卡, 可支持 2*PCI 或 1*PCIe X16 扩展
- 默认 1 个 2.5 英寸 7mm 抗震抗冲击硬盘位设计
- 前面板开关机设计, 电源及存储状态显示, 更易于系统维护
- 支持多方向壁挂式、桌面式安装



远程管理



状态监控



远程运维

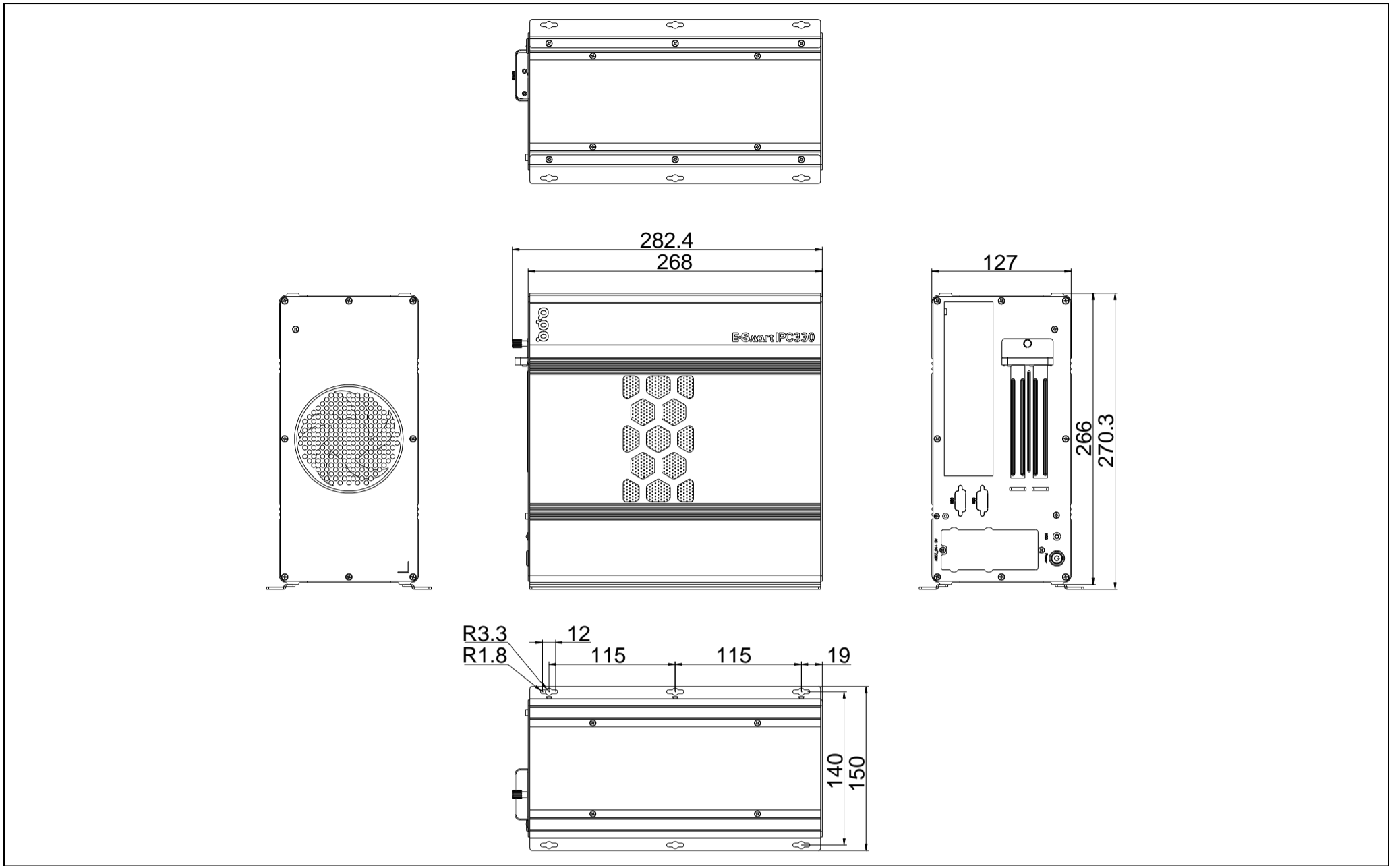


安全控制

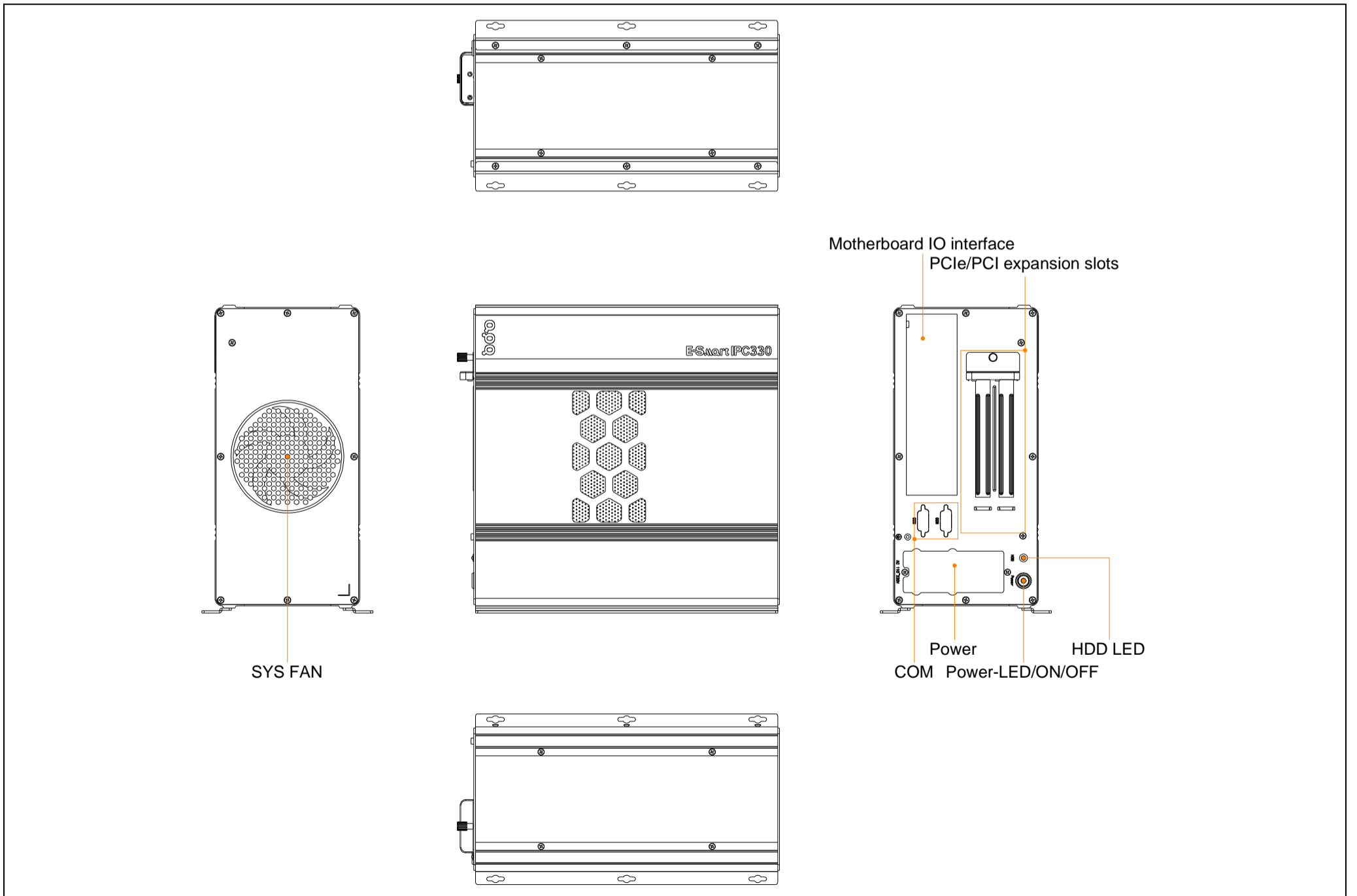
产品规格

Model	IPC330D-H31CL5	
Processor System	CPU	Support Intel® 6/7/8/9th Generation Core / Pentium/ Celeron Desktop CPU
	TDP	65W
	Socket	LGA1151
	Chipset	H310C
	BIOS	AMI 256 Mbit SPI
Memory	Socket	2 * Non-ECC SO-DIMM Slot, Dual Channel DDR4 up to 2666MHz
	Capacity	64GB, Single Max. 32GB
Graphics	Controller	Intel® UHD Graphics
Ethernet	Controller	4 * Intel i210-AT GbE LAN Chip (10/100/1000 Mbps, with PoE Power socket) 1 * Intel i219-LM/V GbE LAN Chip (10/100/1000 Mbps)
	Storage	SATA 2 * SATA3.0 7P Connector, up to 600MB/s mSATA 1 * mSATA (SATA3.0, Share slot with Mini PCIe, default)
Expansion Slots	PCIe	1 * PCIe x16 slot (Gen 3, x16 signal)
	Mini PCIe	1 * Mini PCIe (PCIe x1 Gen 2 + USB2.0, with 1 * SIM Card, Share slot with Msat, Opt.)
Front I/O	Ethernet	5 * RJ45
	USB	4 * USB3.2 Gen 1x1 (Type-A, 5Gbps, Each group of two ports Max. 3A, one port Max. 2.5A) 2 * USB2.0 (Type-A, Each group of two ports Max. 3A, one port Max. 2.5A)
	Display	1 * DP: max resolution up to 3840*2160 @ 60Hz 1 * HDMI1.4: max resolution up to 2560*1440 @ 60Hz
	Audio	3 * 3.5mm Jack (Line-out + Line-in + MIC)
	Serial	2 * RS232/422/485 (COM1/2, DB9/M, Full Lanes, BIOS Switch)
	Button	1 * Power Button
	LED	1 * Power status LED 1 * Hard drive status LED
Internal I/O	USB	2 * USB2.0 (Header)
	COM	4 * RS232 (COM3/4/5/6, Header, Full Lanes)
	Display	1 * eDP: max resolution up to 1920*1200 @ 60Hz (Header)
	Serial	4 * RS232 (COM3/4/5/6, Header)
	GPIO	1 * 8 bits DIO (4xDI and 4xDO, wafer)
	SATA	2 * SATA 7P Connector
	FAN	1 * CPU FAN (Header) 1 * SYS FAN (Header)
	Front Panel	1 * Front Panel (Header)
Power Supply	Type	1U FLEX
	Power Input Voltage	AC power supply, voltage and frequency shall be based on the IU FLEX power supply provided
	RTC Battery	CR2032 Coin Cell
OS Support	Windows	6/7 th Core™: Windows 7/10/11 8/9th Core™: Windows 10/11
	Linux	Linux
Watchdog	Output	System Reset
	Interval	Programmable 1 ~ 255 sec
Mechanical	Enclosure Material	SGCC+Al6061
	Dimensions	266mm * 127mm * 268mm
	Mounting	Wall mounted, Desktop
Environment	Heat Dissipation System	PWM fan cooling
	Operating Temperature	0 ~ 60°C
	Storage Temperature	-20 ~ 75°C
	Relative Humidity	10 to 95% RH (non-condensing)

产品尺寸



机箱接口



主板接口

