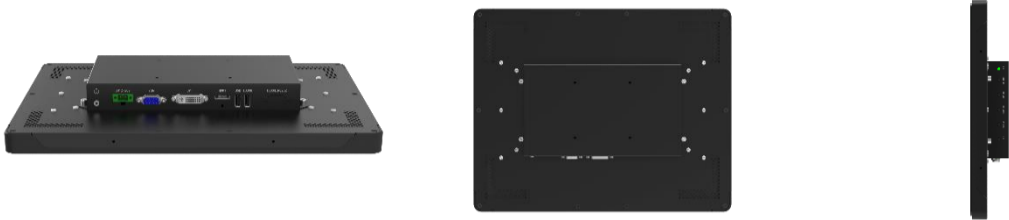




### 特点:

- 全塑模具中框
- 十点触摸电容屏
- 支持数模双视频信号输入
- 全系高分辨率设计
- 前面板 IP65 设计
- 支持嵌入式/VESA/开放式多种安装方式
- 高性价比, 高可靠性



## 产品规格

### General

- I/O: HDMI, VGA, DVI, USB for touch, Optional RS232 touch
- Power Input: 2Pin 5.08 Phoenix jack (12~28V)
- Enclosure: SGCC & Plastics
- Color: Black
- Mount Option: VESA, Wall Mount, Embedded
- Relative Humidity: 10 to 90% RH (non-condensing)

### Touch

- Touch Type: Projected Capacitive Touch
- Controller: USB signal
- Input: Finger/Capacitive Touch Pen
- Light Transmission:  $\geq 85\%$
- Hardness:  $\geq 6H$
- Response time:  $\leq 25ms$

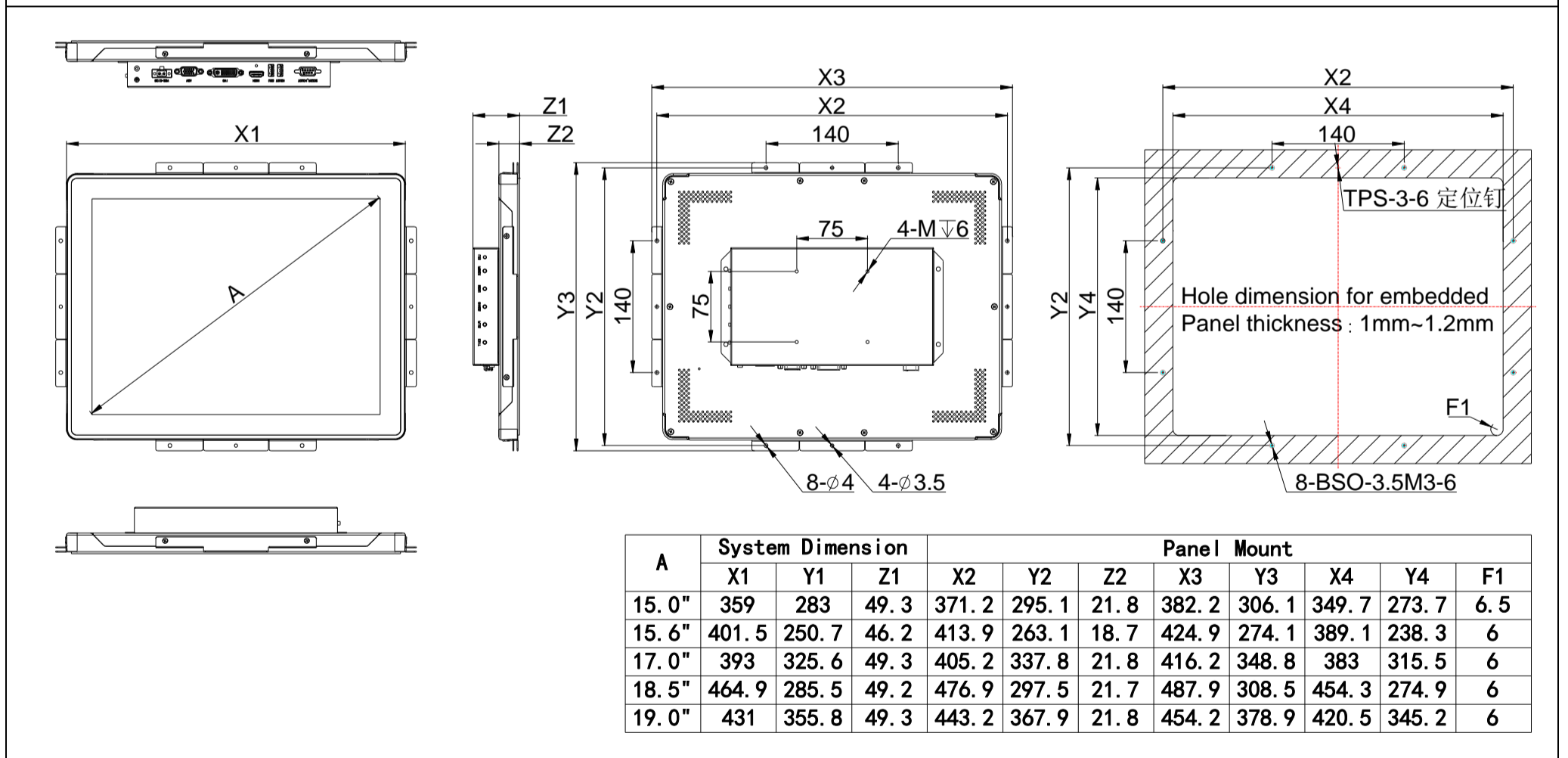
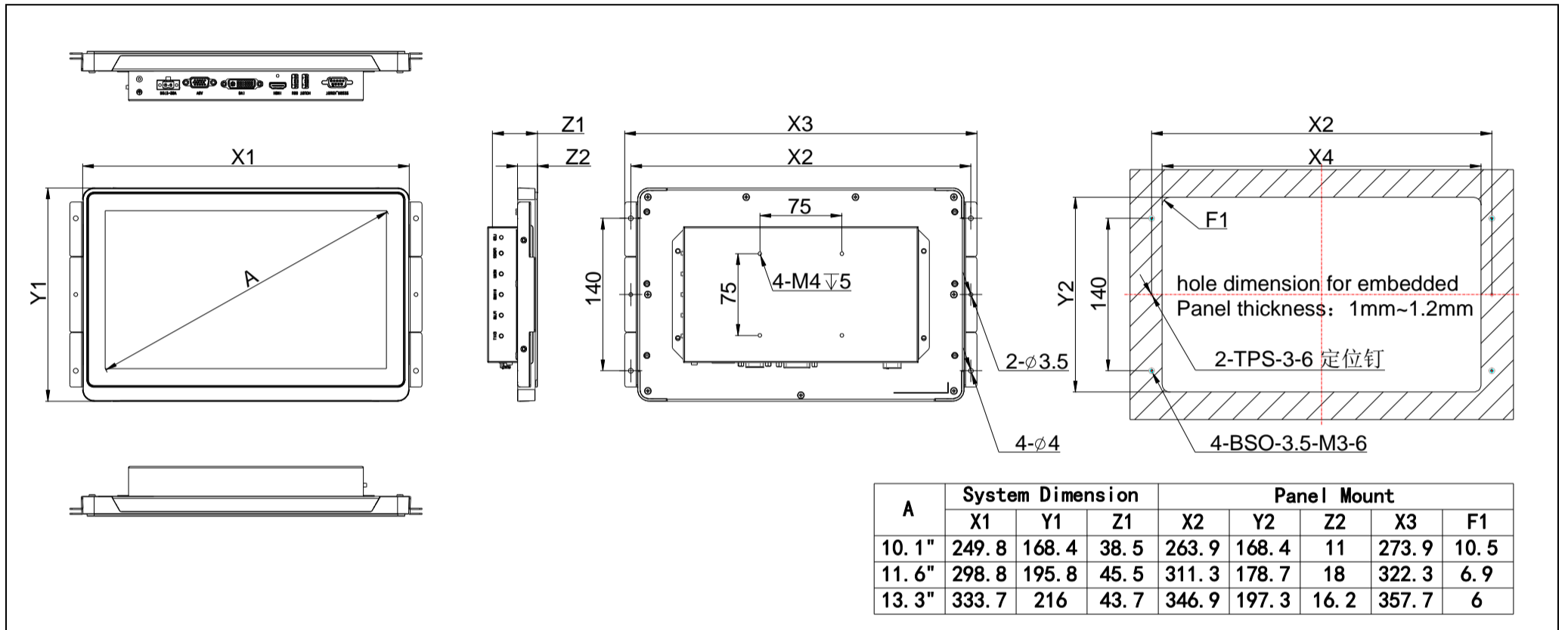
## 显示面板

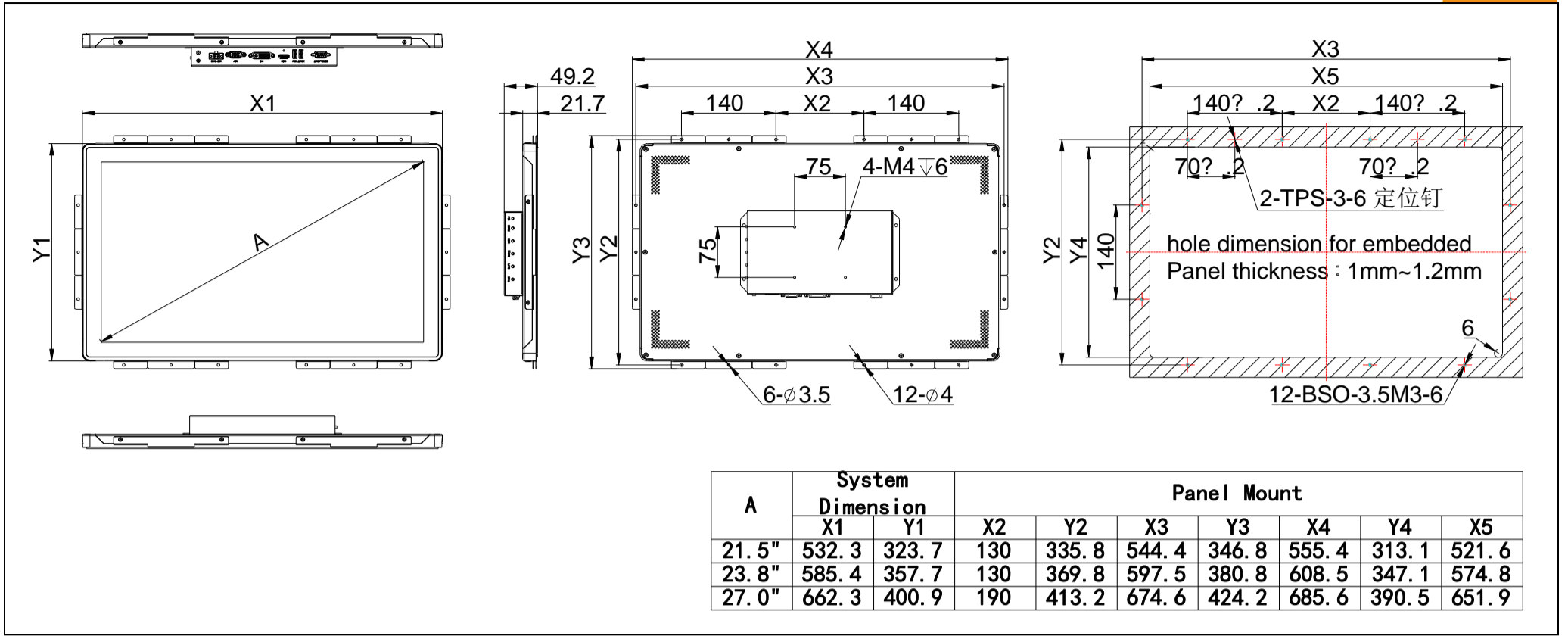
Model	H101CL	H116CL	H133CL	H150CL
Display Size	10.1" TFT LCD	11.6" TFT LCD	13.3" TFT LCD	15.0" TFT LCD
Max.Resolution	1280 x 800	1920 x 1080	1920 x 1080	1024 x 768
Aspect Ratio	16:10	16:9	16:9	4:3
Viewing Angle	85/85/85/85	89/89/89/89	85/85/85/85	89/89/89/89
Luminance	350 cd/m <sup>2</sup>	220 cd/m <sup>2</sup>	300 cd/m <sup>2</sup>	350 cd/m <sup>2</sup>
Contrast Ratio	800:1	800:1	800:1	1000:1
Backlight Lifetime	25,000 hrs	15,000 hrs	15,000 hrs	50,000 hrs
Operating Temperature	0~50°C	0~50°C	0~50°C	0~50°C
Storage Temperature	-20~60°C	-20~60°C	-20~60°C	-20~60°C
Dimensions(L*W*H)	249.8mm * 168.4mm * 34mm	298.1mm * 195.1mm * 40.9mm	333.7mm * 216mm * 39.4mm	359mm * 283mm * 44.8mm
Weight	Net: 1.5kg	Net: 1.9kg	Net: 2.15kg	Net: 3.3kg

Model	H156CL	H170CL	H185CL	H190CL
Display Size	15.6" TFT LCD	17.0" TFT LCD	18.5" TFT LCD	19.0" TFT LCD
Max.Resolution	1920 x 1080	1280 x 1024	1366 x 768	1280 x 1024
Aspect Ratio	16:9	5:4	16:9	5:4
Viewing Angle	85/85/85/85	85/85/80/80	85/85/80/80	85/85/80/80
Luminance	220 cd/m <sup>2</sup>	250 cd/m <sup>2</sup>	250 cd/m <sup>2</sup>	250 cd/m <sup>2</sup>
Contrast Ratio	800:1	1000:1	1000:1	1000:1
Backlight Lifetime	50,000 hrs	50,000 hrs	30,000 hrs	30,000 hrs
Operating Temperature	0~50°C	0~50°C	0~50°C	0~50°C
Storage Temperature	-20~60°C	-20~60°C	-20~60°C	-20~60°C
Dimensions(L*W*H)	401.5mm * 250.7mm * 41.7mm	393mm * 325.6mm * 44.8mm	464.9mm * 285.5mm * 44.7mm	431mm * 355.8mm * 44.8mm
Weight	Net: 3.4kg	Net: 4.3kg	Net: 4.7 kg	Net: 5.2kg

Model	H215CL	H238CL	H270CL
Display Size	21.5" TFT LCD	23.8" TFT LCD	27.0" TFT LCD
Max.Resolution	1920 x 1080	1920 x 1080	1920 x 1080
Aspect Ratio	16:9	16:9	16:9
Viewing Angle	89/89/89/89	89/89/89/89	89/89/89/89
Luminance	250 cd/m <sup>2</sup>	250 cd/m <sup>2</sup>	300 cd/m <sup>2</sup>
Contrast Ratio	1000:1	1000:1	3000:1
Backlight Lifetime	30,000 hrs	30,000 hrs	30,000 hrs
Operating Temperature	0~50°C	0~50°C	0~50°C
Storage Temperature	-20~60°C	-20~60°C	-20~60°C
Dimensions(L*W*H)	532.3mm * 323.7mm * 44.7mm	585.4mm * 357.7mm * 44.7mm	662.3mm * 400.9mm * 44.8mm
Weight	Net: 5.9kg	Net: 7kg	Net: 8.1kg

### 产品尺寸





产品 I/O

